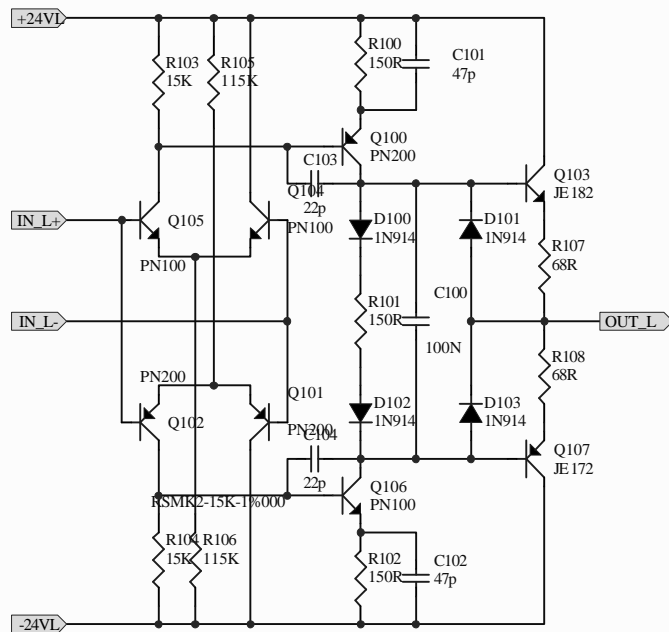



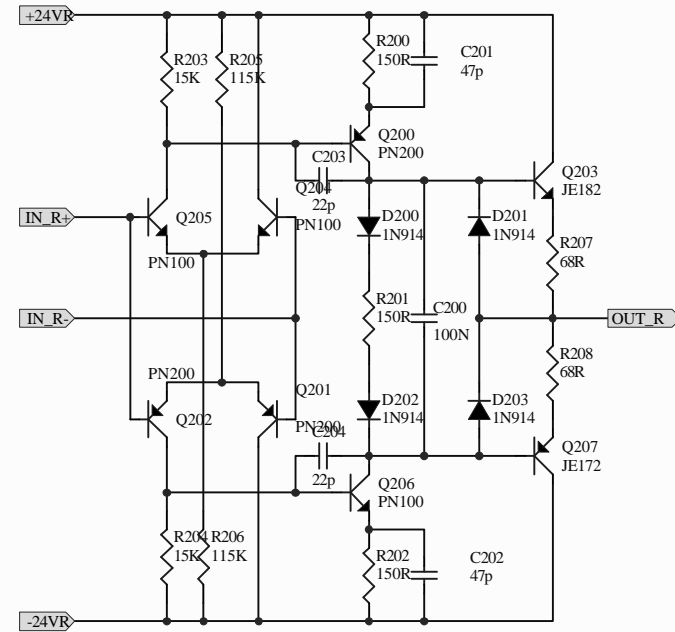
 BRYSTON <small>LTD</small> P.O. BOX 2170, 677 NEAL DR. PETERBOROUGH, ONTARIO CANADA K9J 7Y4 PHONE (705) 742-5325 FAX (705) 742-0882 WWW.BRYSTON.CA		Size :
		A
Title : B100 Digital Power Supply R2		Rev : 2
File : B100 DIG PS Board R2.SCH		Sheet : 1 of 1
Date : 2/18/2005		Drawn : D.M.


LEFT

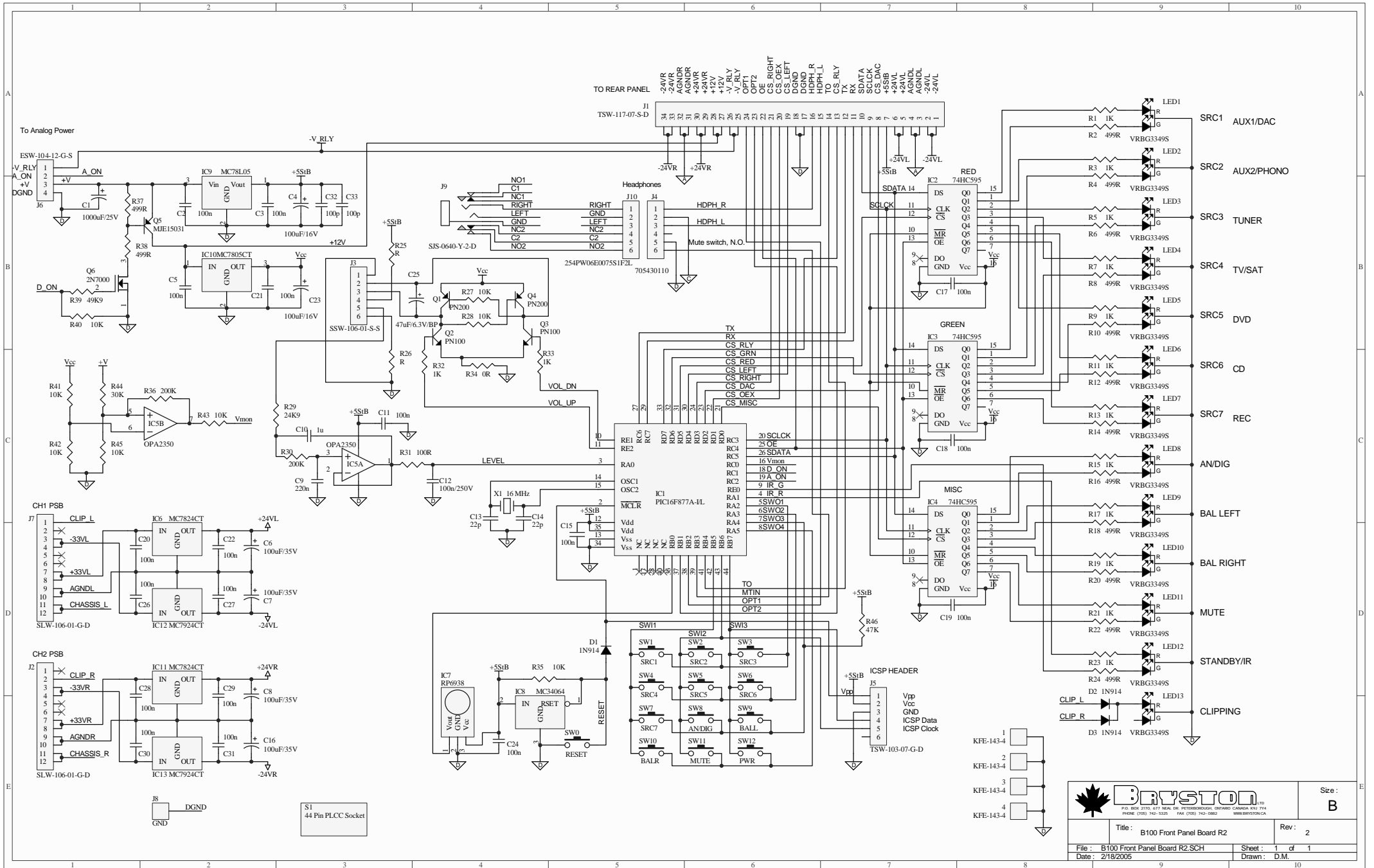


 BRYSTON LTD. <small>P.O. BOX 2170, 677 NEAL DR. PETERBOROUGH, ONTARIO CANADA K9J 7Y4 PHONE (705) 742-5325 FAX (705) 742-0882 WWW.BRYSTON.CA</small>	Size : A
	Rev : 0
Title : Output Buffers	
File : DOA-68 L.SCH	Sheet : 1 of 1
Date : 2/18/2005	Drawn : D.M.

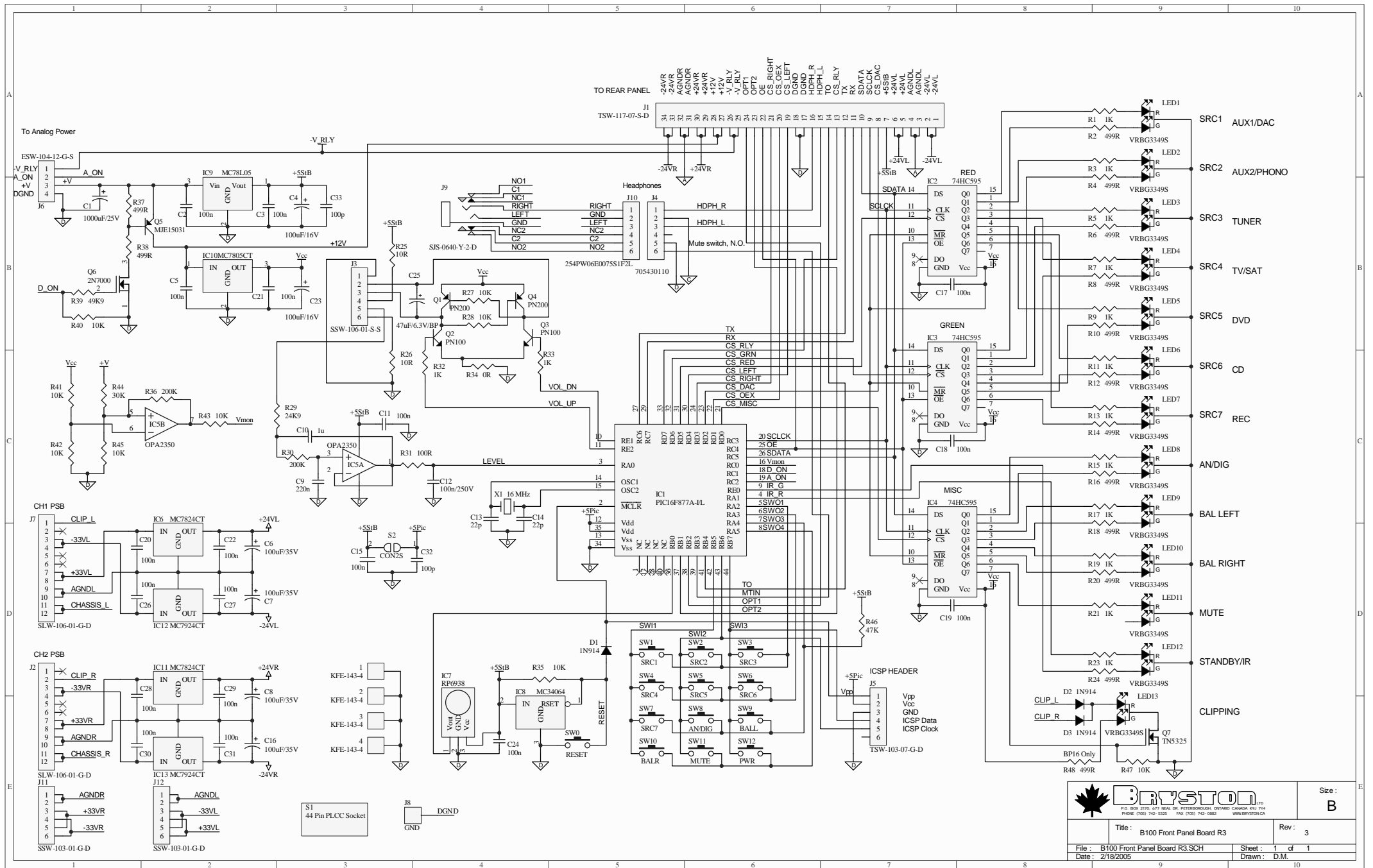
RIGHT



 <b style="font-size: 24px; font-weight: bold;">BRYSTON <small> P.O. BOX 2170, 677 NEAL DR. PETERBOROUGH, ONTARIO CANADA K9J 7Y4 PHONE (705) 742-5325 FAX (705) 742-0882 WWW.BRYSTON.CA </small>	Size : A
	Rev : 0
Title : Output Buffers	
File : DOA-68_R.SCH	Sheet : 1 of 1
Date : 2/18/2005	Drawn : D.M.

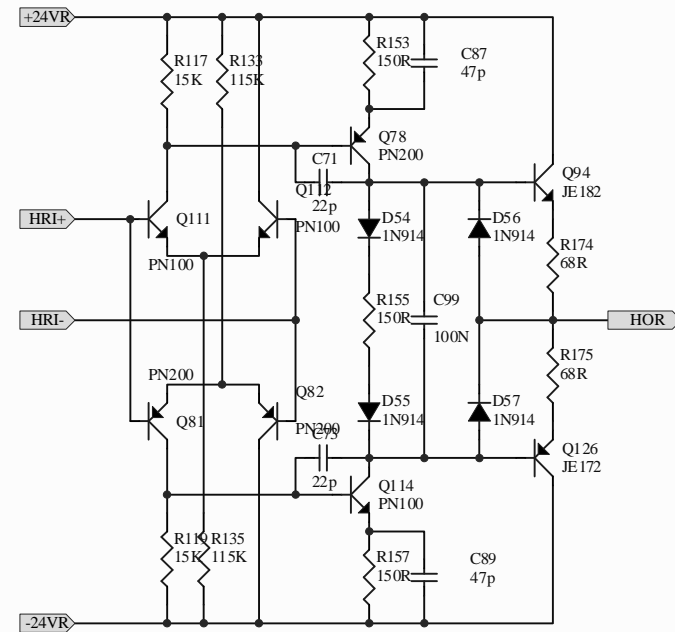



		Size:	B
		Rev:	
Title: B100 Front Panel Board R2		Date: 2/18/2005	
File: B100 Front Panel Board R2.SCH		Sheet: 1 of 1	
Date: 2/18/2005		Drawn: D.M.	

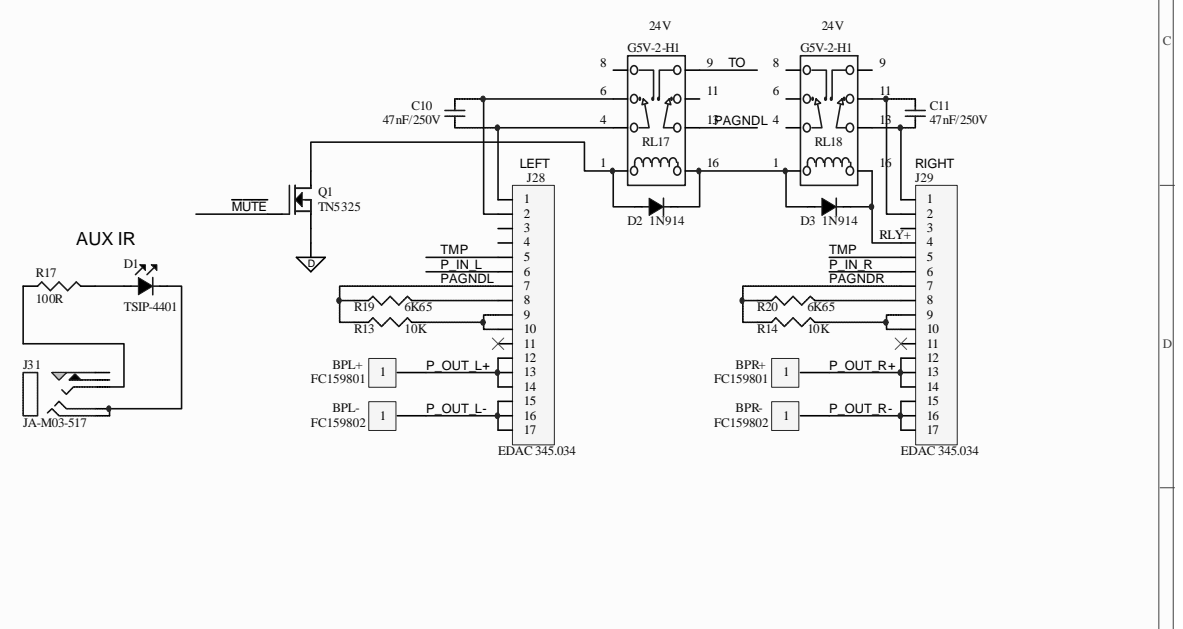
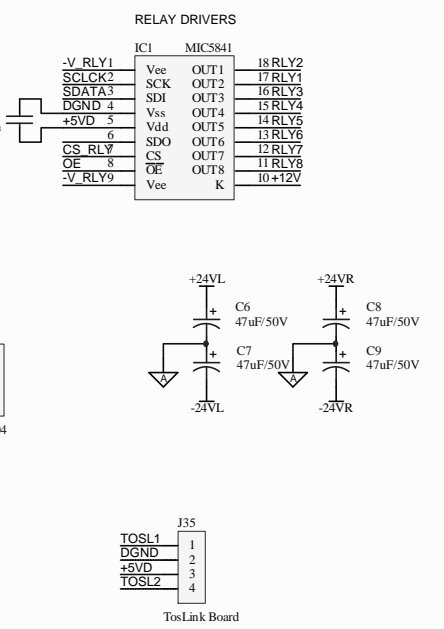
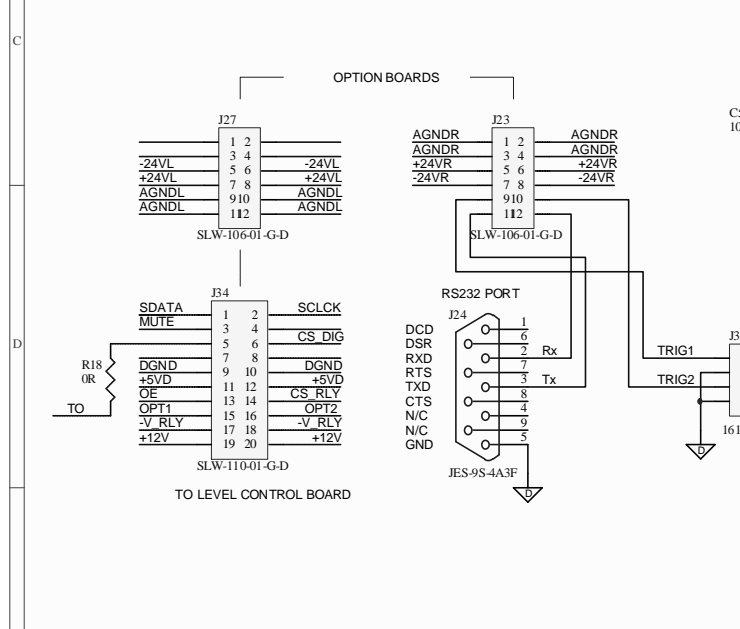
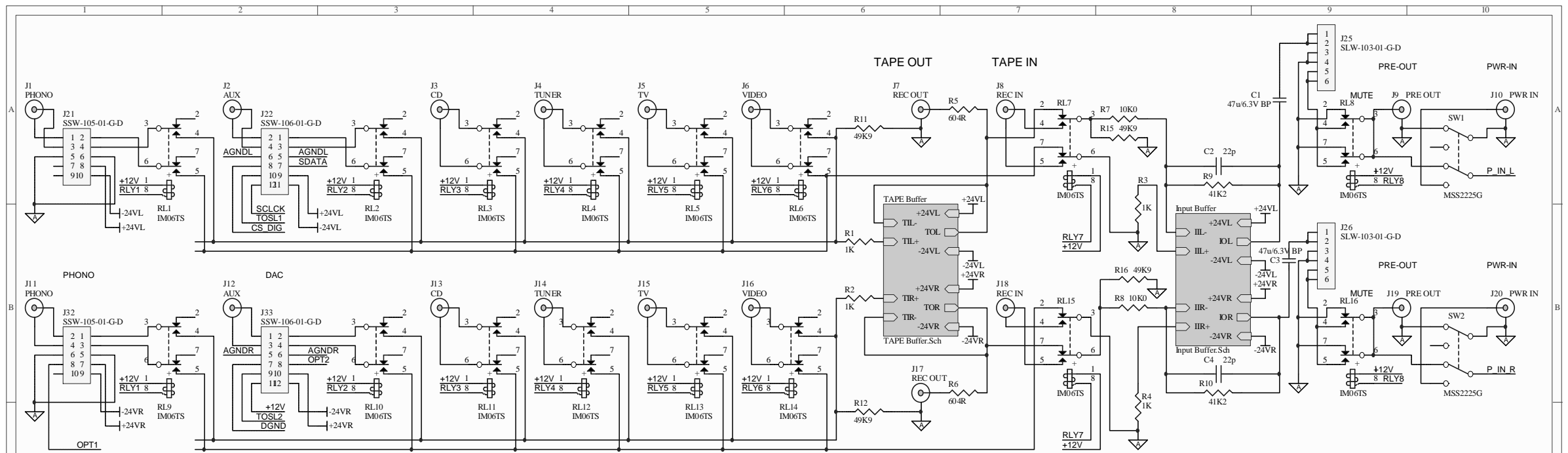


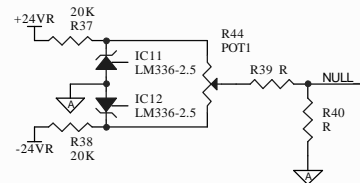
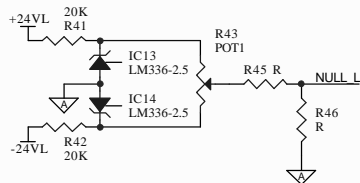
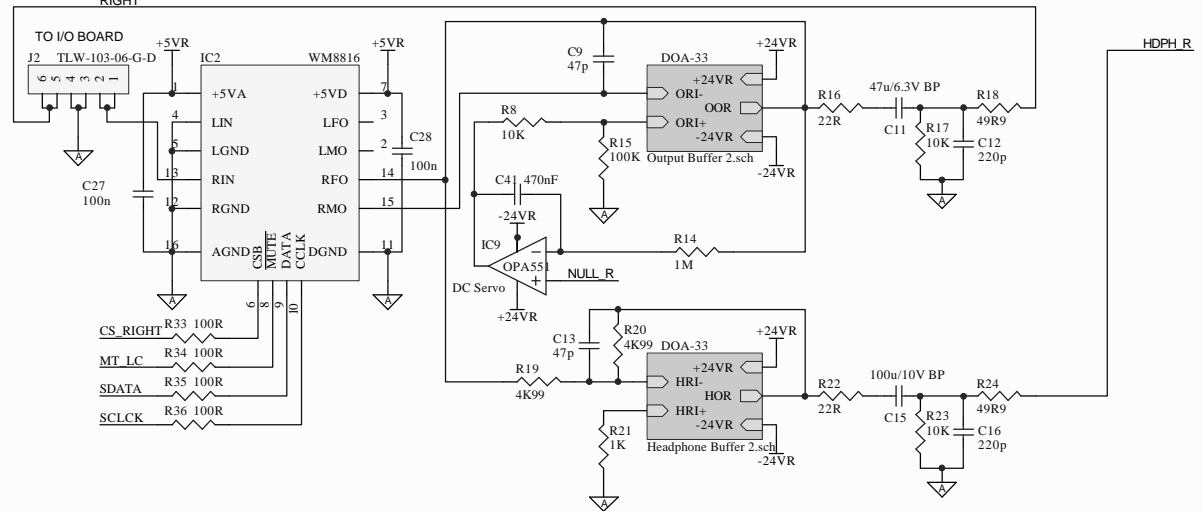
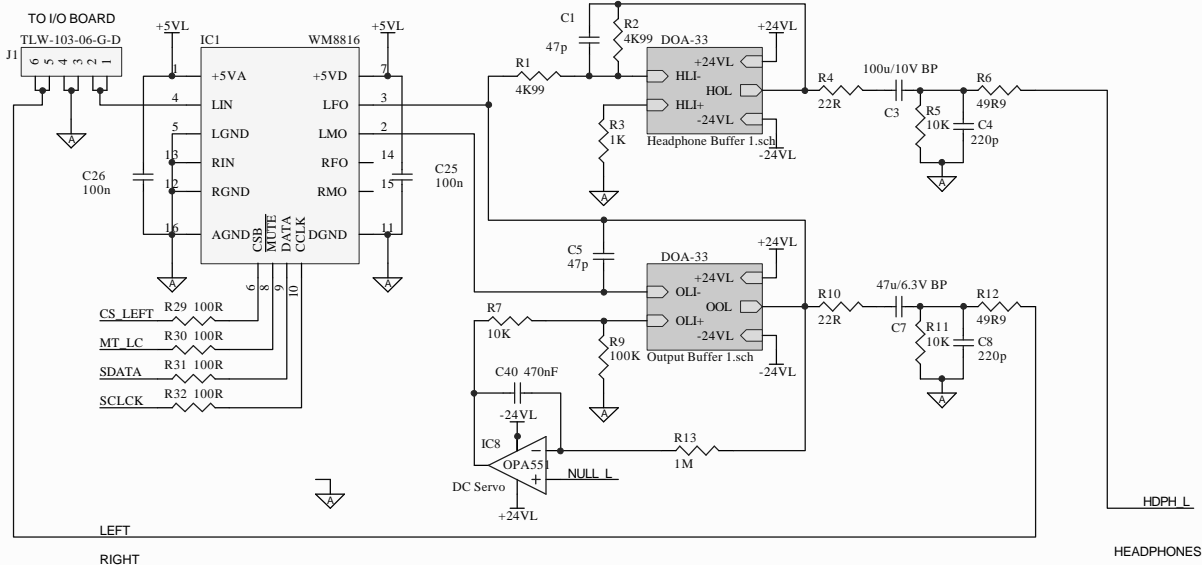
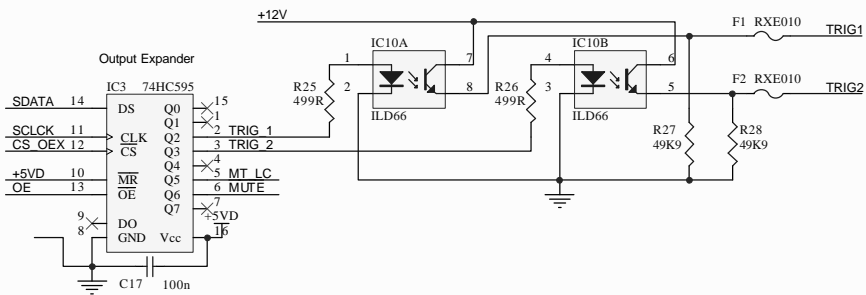
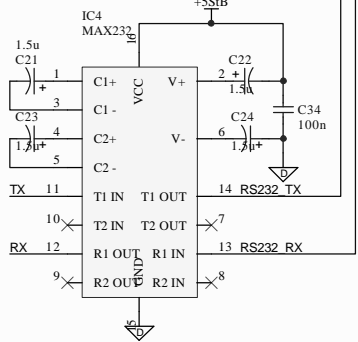
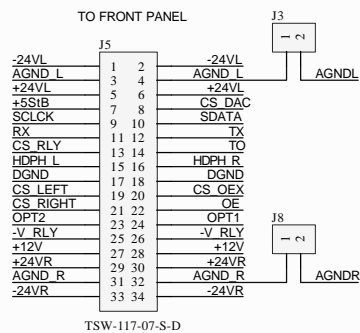
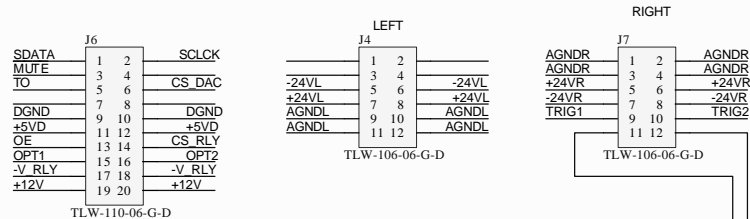
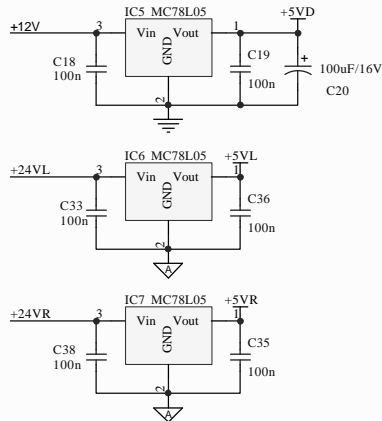
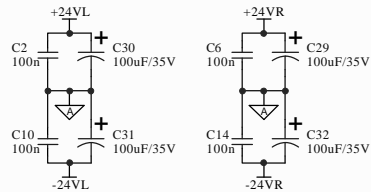
		Size:	B
		Title:	B100 Front Panel Board R3
File:	B100 Front Panel Board R3.SCH	Sheet:	1 of 1
Date:	2/18/2005	Drawn:	D.M.

RIGHT



 <b style="font-size: 24px; font-weight: bold;">BRYSTON <small>LTD.</small> <small>P.O. BOX 2170, 677 NEAL DR., PETERBOROUGH, ONTARIO, CANADA K9J 7Y4</small> <small>PHONE (205) 742-5325 FAX (705) 742-0882 WWW.BRYSTON.CA</small>	Size : A
	Title : Headphone Buffers Rev : 0
File : Headphone Buffer 2.SCH Date : 2/18/2005	Sheet : 1 of 1 Drawn : D.M.





1 2 3 4 5 6 7 8 9 10

A

A

B

B

C

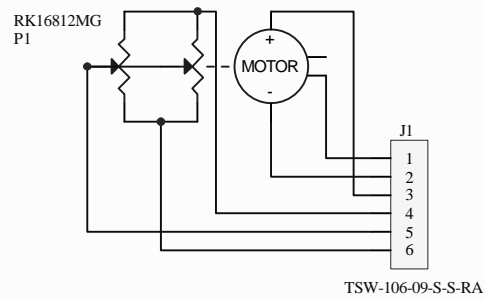
C


D

D

E

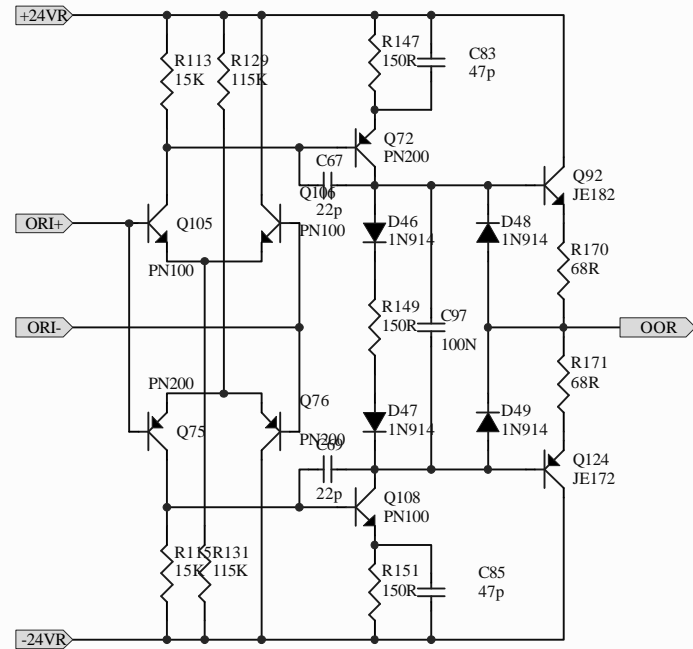
E



	BRYSTON LTD <small>P.O. BOX 2170, 677 NEAL DR. PETERBOROUGH, ONTARIO CANADA K9J 7Y4 PHONE (705) 742-5325 FAX (705) 742-0882 WWW.BRYSTON.CA</small>	Size : A
	Title : B100 Motor Pot Board	Rev : 2
File : B100 Motor Pot Board R2.Sch	Sheet : 1 of 1	
Date : 2/18/2005	Drawn :	

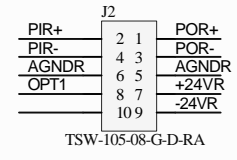
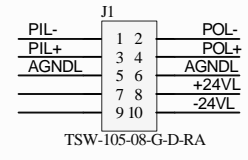
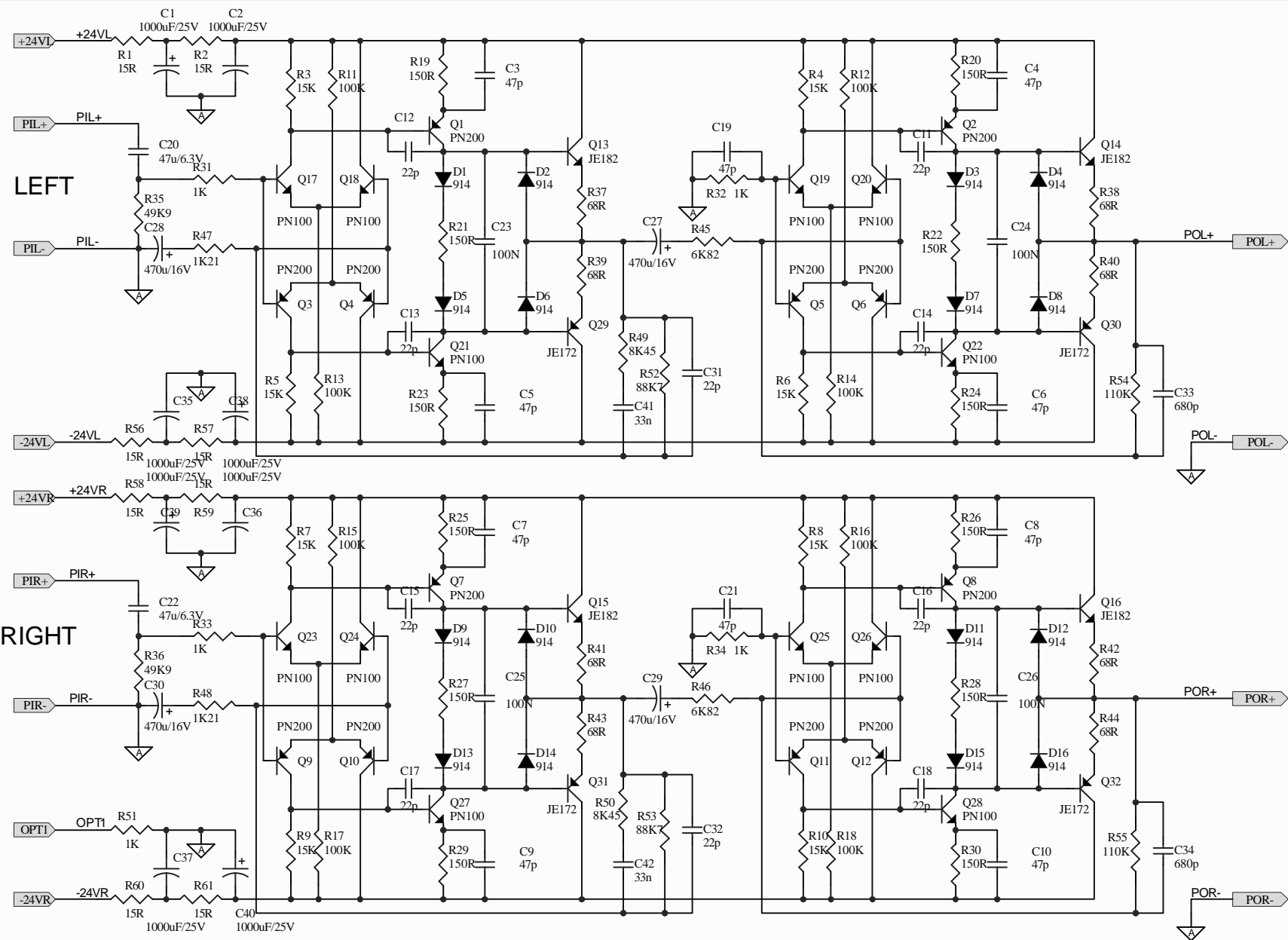
1 2 3 4 5 6 7 8 9 10


RIGHT



Size :
A

Title : Output Buffers		Rev : 0
File : Output Buffer 2.SCH		Sheet : 1 of 1
Date : 2/18/2005		Drawn : D.M.





BRYSTON LTD.

P.O. BOX 2170, 677 NEAL DR. PETERBOROUGH, ONTARIO CANADA K9J 7Y4
PHONE (705) 742-5325 FAX (705) 742-0882 WWW.BRYSTON.CA

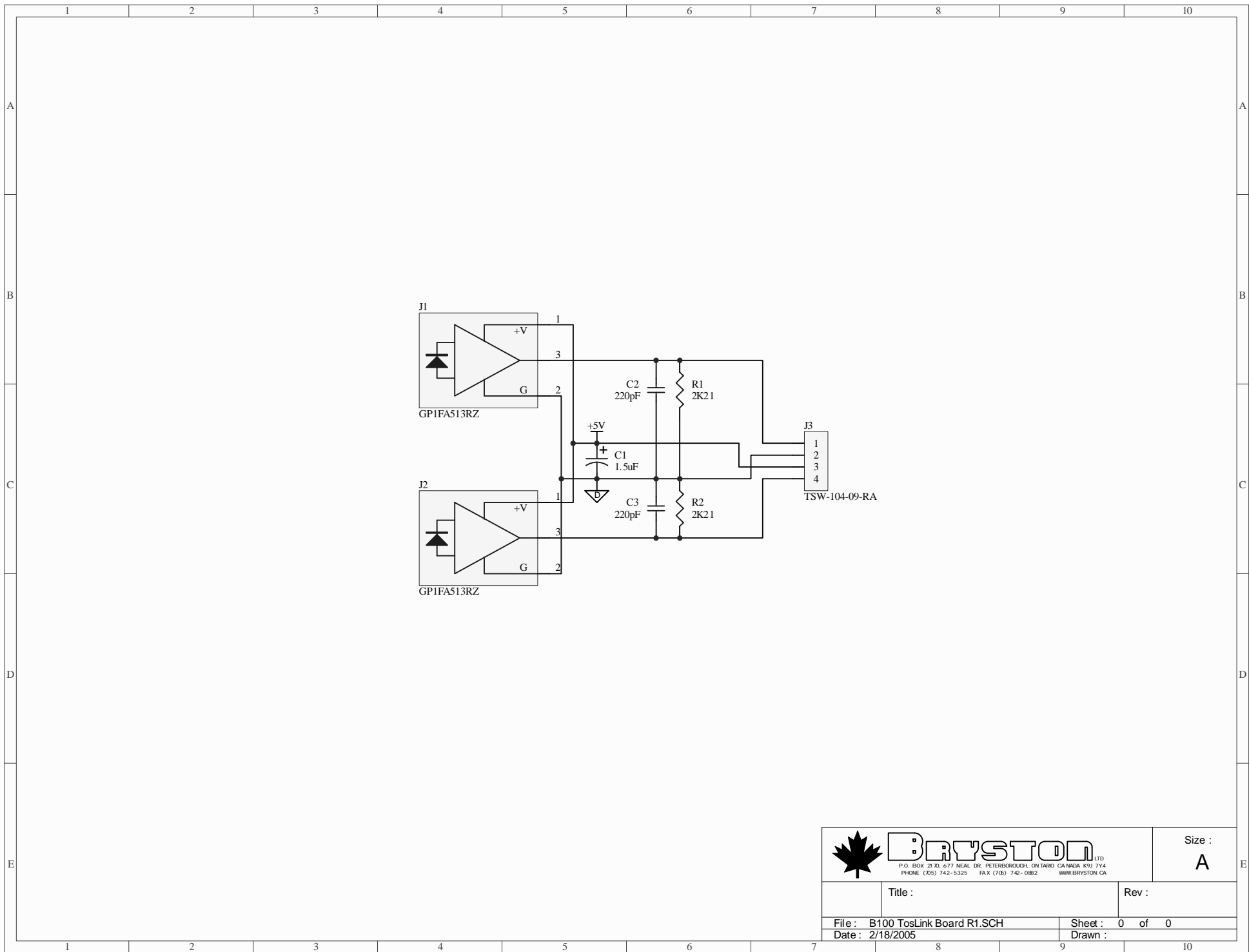
Size :
A

Title : B150 Phono Option Board		Rev : 0
File : B100 Phono Board R1.SCH		Sheet : 1 of 1
Date : 2/18/2005		Drawn : D.M.

A
B
C
D
E

A
B
C
D
E

1 2 3 4 5 6 7 8 9 10

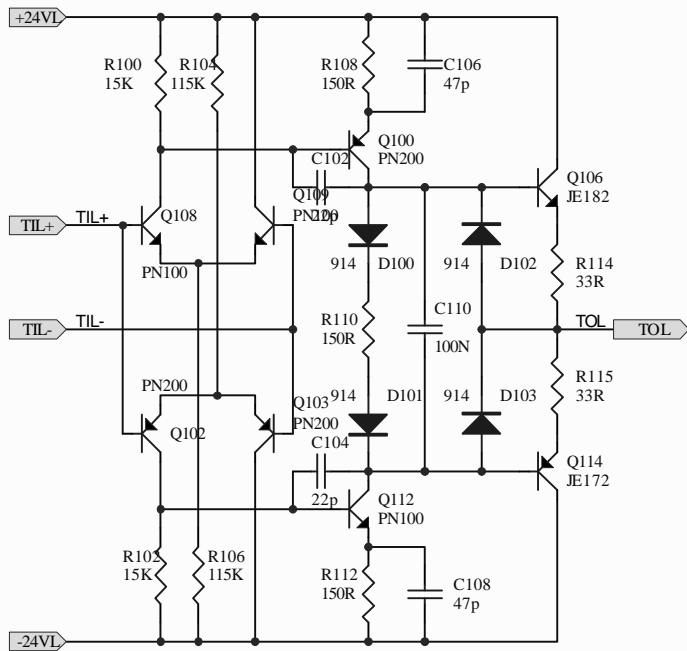


BRYSTON LTD.
 P.O. BOX 2170, 677 NEAL DR., PETERBOROUGH, ONTARIO, CANADA K9J 7Y4
 PHONE (205) 742-5325 FAX (705) 742-0882 WWW.BRYSTON.CA

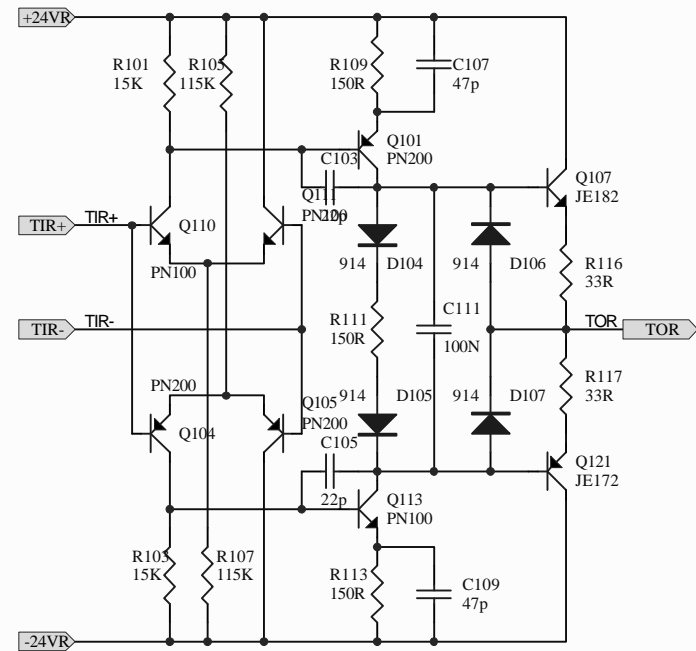
Size :
A


Title :		Rev :	
File : B100 TosLink Board R1.SCH		Sheet : 0 of 0	
Date : 2/18/2005		Drawn :	

LEFT

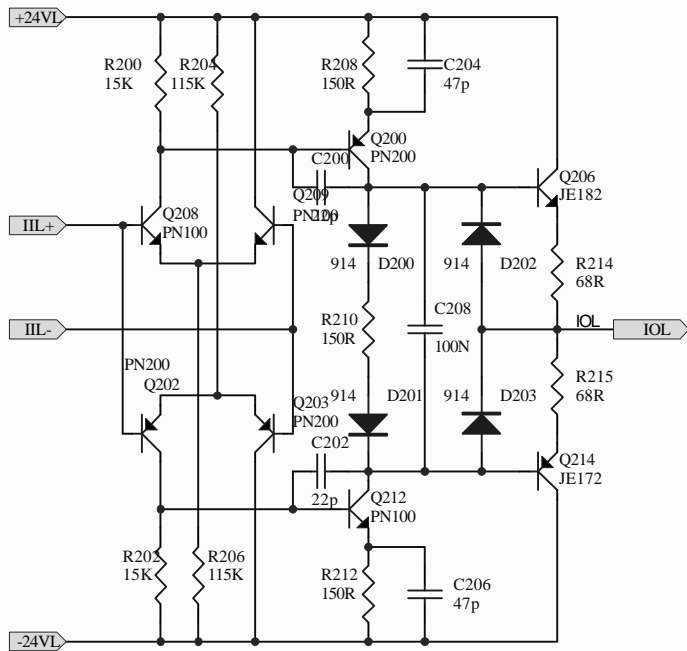


RIGHT

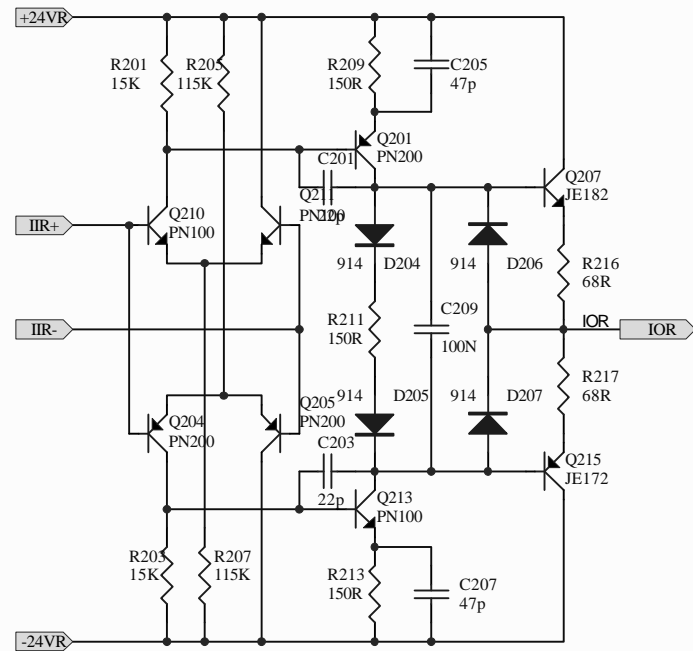



 BRYSTON LTD. <small>P.O. BOX 2170, 677 NEAL DR. PETERBOROUGH, ONTARIO CANADA K9J 7Y4 PHONE (705) 742-5325 FAX (705) 742-0882 WWW.BRYSTON.CA</small>	Size : A
	Rev : 0
Title : TAPE Output Buffer	
File : TAPE Buffer.Sch	Sheet : 1 of 1
Date : 2/18/2005	Drawn : D.M.

LEFT



RIGHT



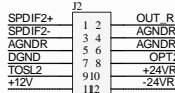
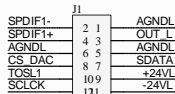
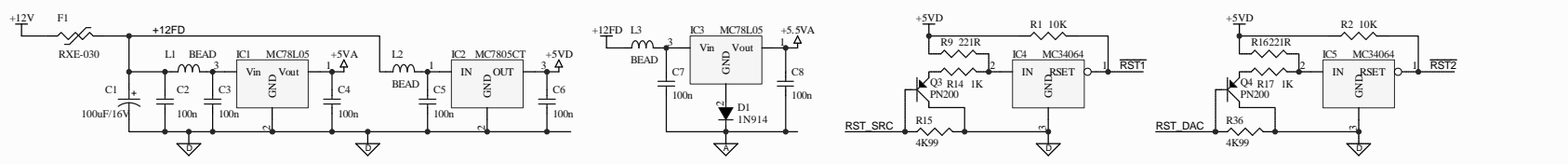
 BRYSTON <small>P.O. BOX 2170, 677 NEAL DR. PETERBOROUGH, ONTARIO CANADA K9J 7Y4 PHONE (705) 742-5325 FAX (705) 742-0882 WWW.BRYSTON.CA</small>		Size:
		A
Title: Input Buffers		Rev: 0
File: Input Buffer.Sch	Sheet: 1 of 1	
Date: 2/18/2005	Drawn: D.M.	

AUDIO
0 - LPCM
1 - Other

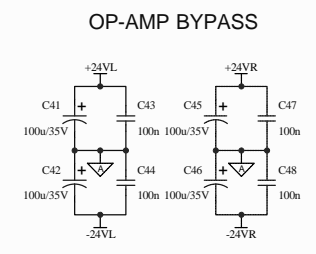
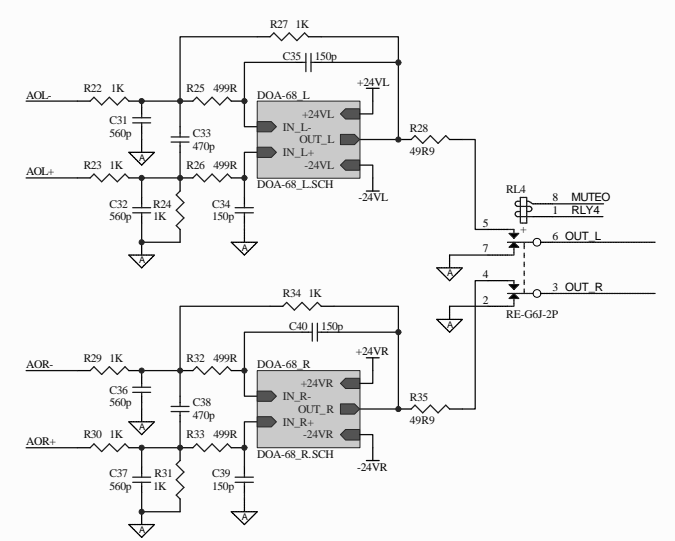
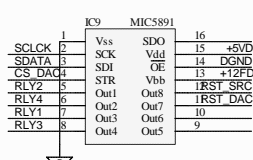
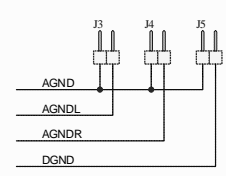
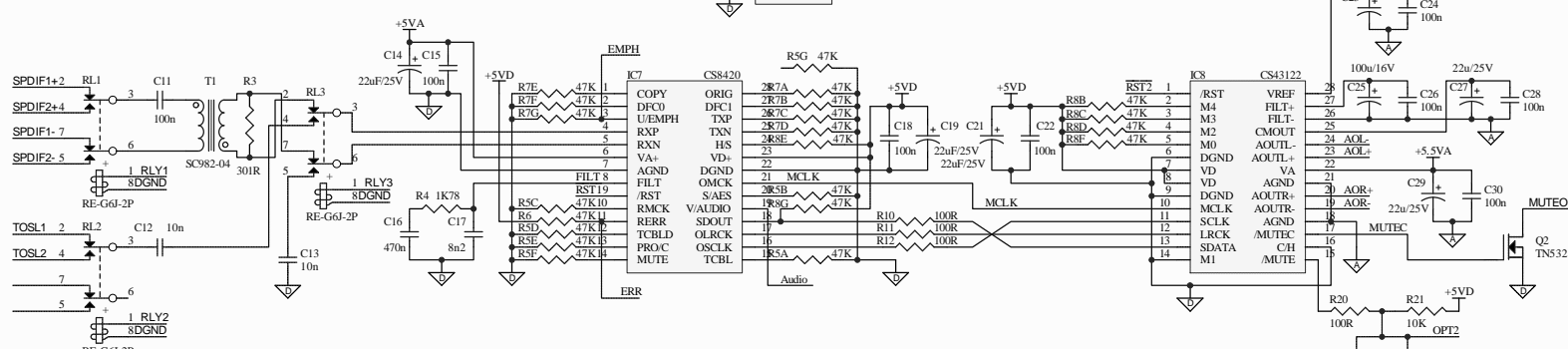
PROC
0 - Consumer
1 - Pro

RERR
0 - Lock
1 - Problem

EMPH
0 - 50/15 us preemphasis
1 - otherwise



Pin J2-6 doubles as OPT2 detection during boot-up, and ERR detection during normal operation.
DAC YES/NO : '0'/'1'
AUDIO YES/NO : '1'/'0'



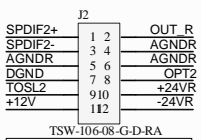
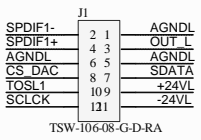
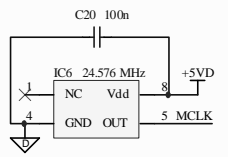
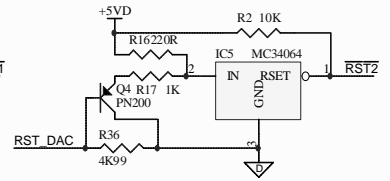
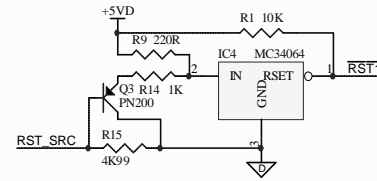
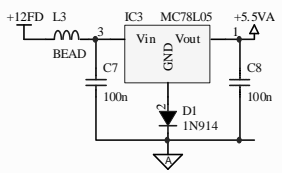
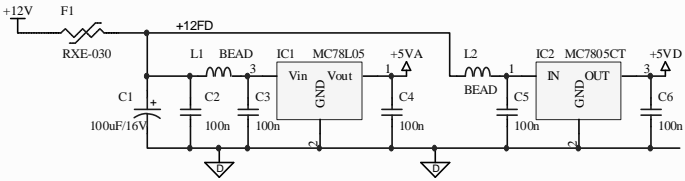
		Size:
		B
Title:	Rev:	
File: B100 DAC Board R3.SCH	Sheet: 0 of 0	
Date: 2/18/2005	Drawn: D.M.	

AUDIO
0 - LPCM
1 - Other

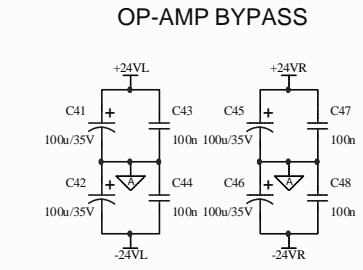
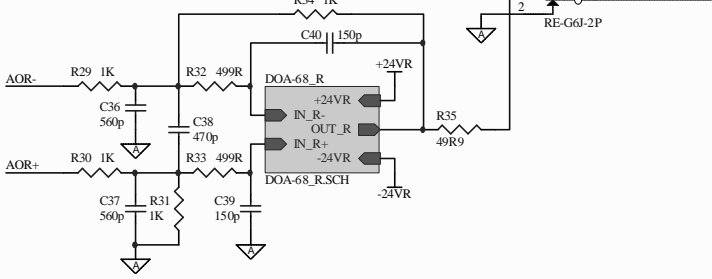
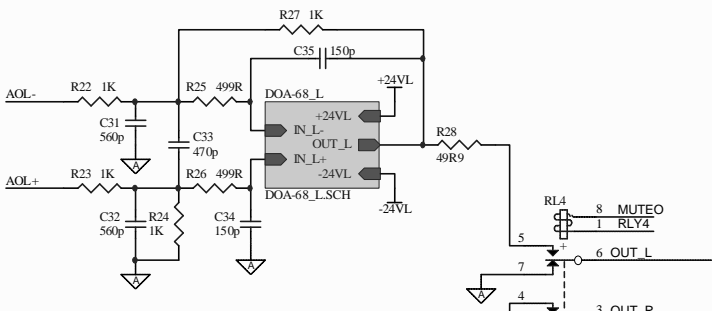
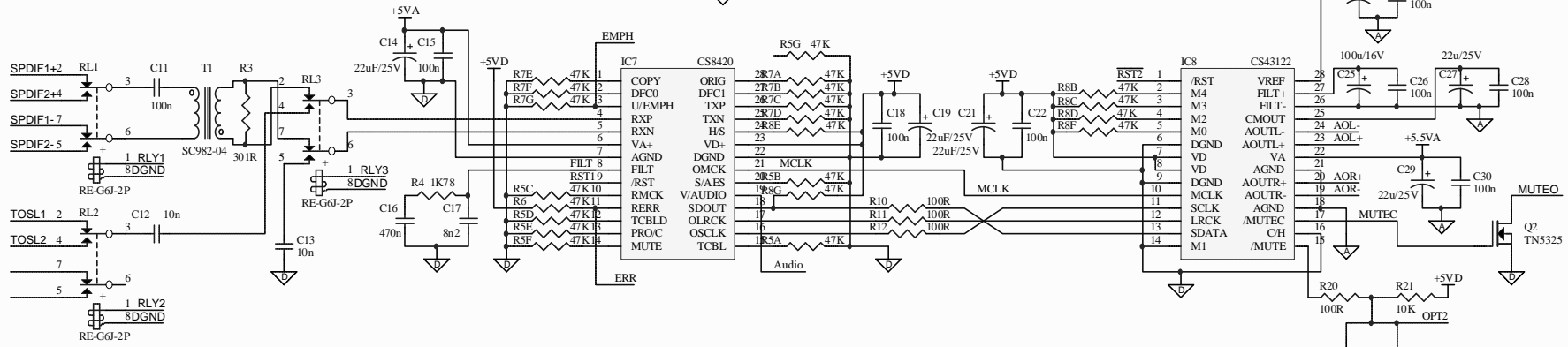
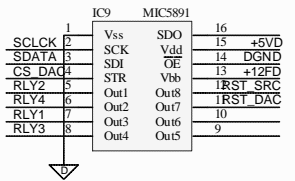
PROC
0 - Consumer
1 - Pro

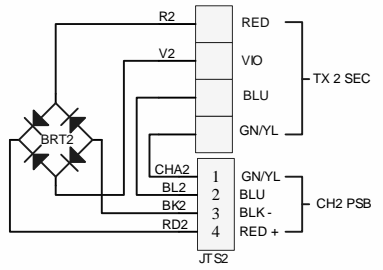
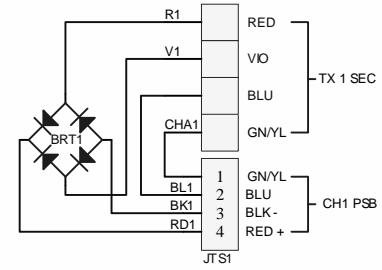
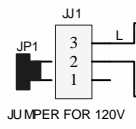
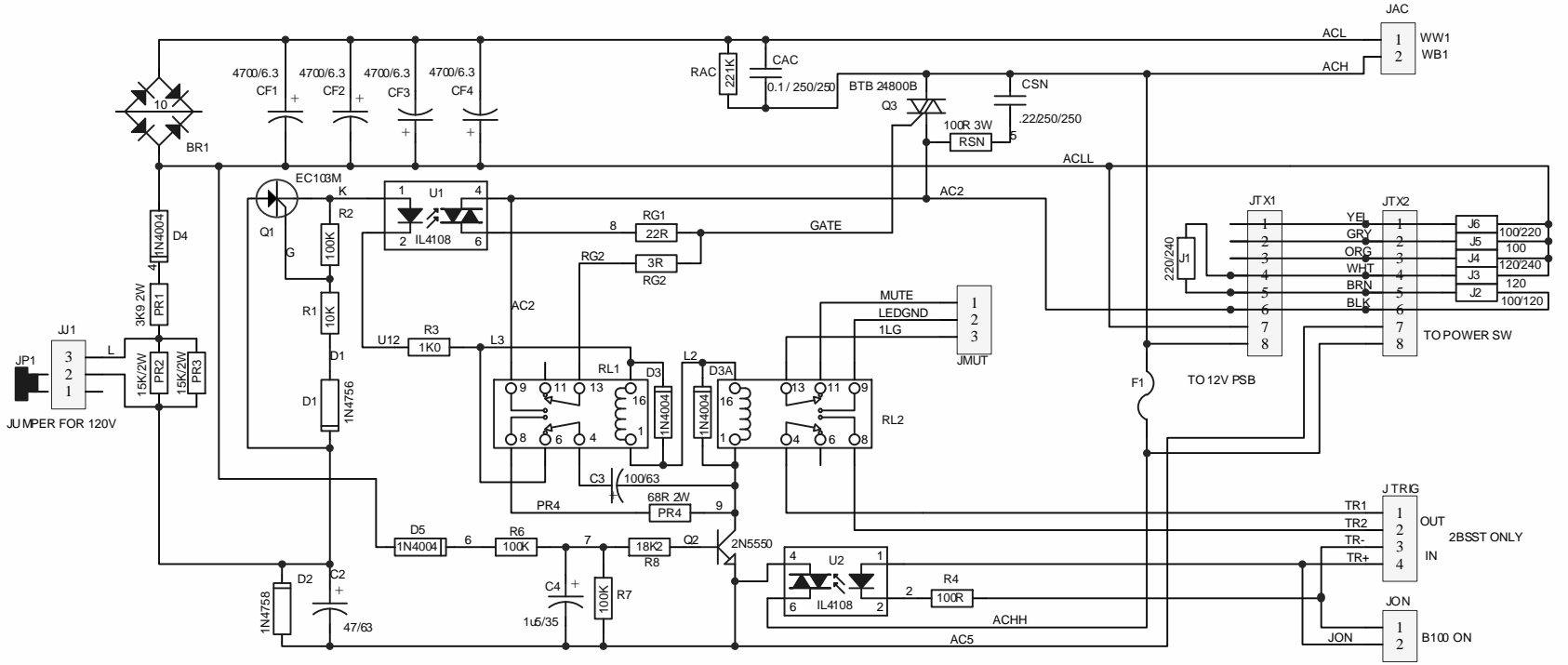
RERR
0 - Lock
1 - Problem

EMPH
0 - 50/15 us pre-emphasis
1 - otherwise




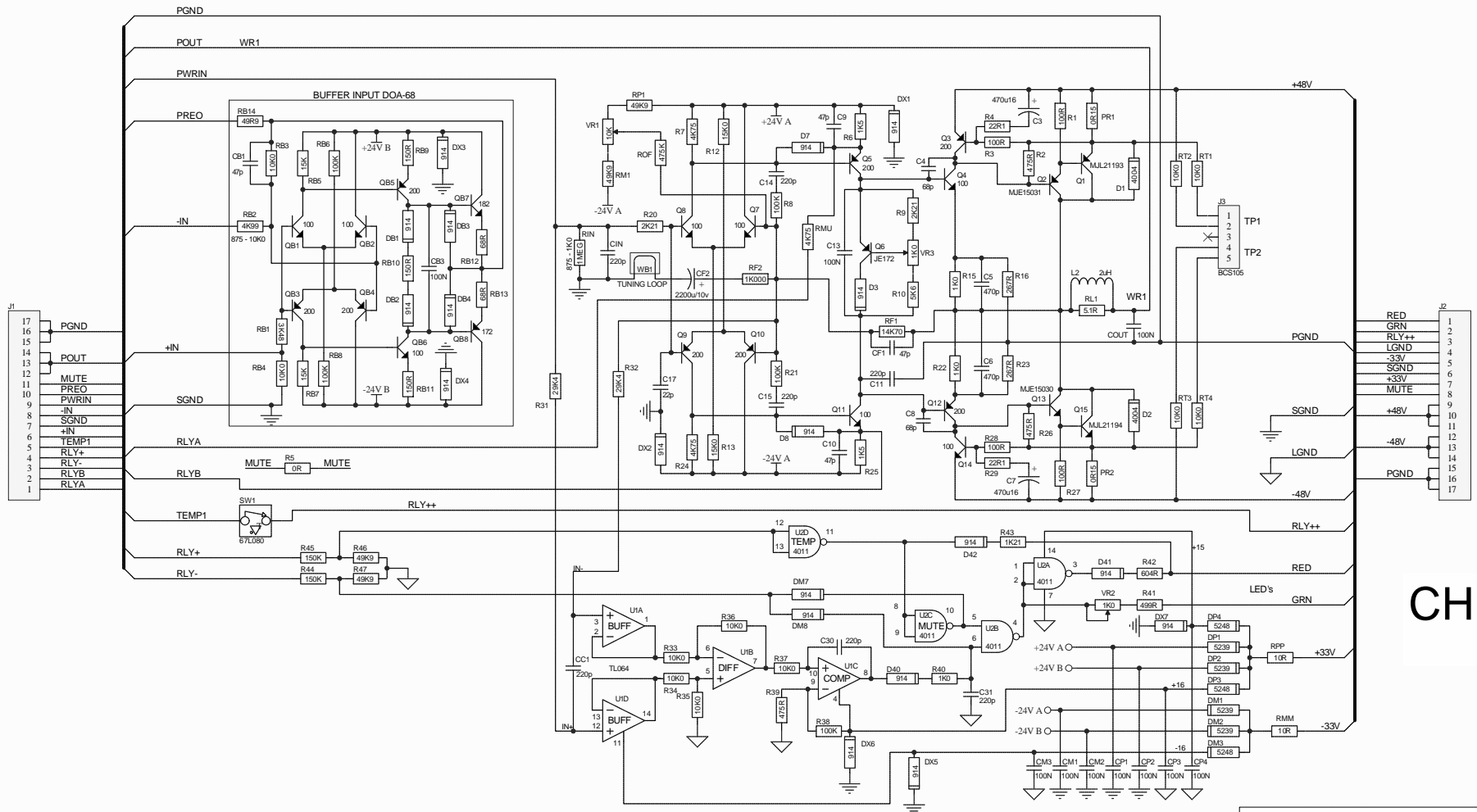
Pin J2-6 doubles as OPT2 detection during boot-up, and ERR detection during normal operation.
DAC YES/NO: "0"/"1"
AUDIO YES/NO: "1"/"0"





B100/2BSST START CIRCUIT R3

	BRYSTON <small>LTD.</small>	Size : A
	P.O. BOX 2170, 677 NEAL DR., PETERBOROUGH, ONTARIO, CANADA K9J 7Y4 PHONE (205) 742-5325 FAX (705) 742-0882 WWW.BRYSTON.CA	
Title : B100/2BSST START BOARD		Rev : R3
File : 2BSST Start Board R3.SCH		Sheet : 1 of 1
Date : 2/18/2005		Drawn :



CH B

- 11531B4B
- 11531B4B
- 11531B4B
- 11531B4B
- 11531B4B

THIS FILE HAS BEEN RENAMED
FORMALLY 875 RIGHT CH R3
channel.
Rev 5 - fixed DX5 and DX6 polarity
added CC1 across pins 3, and 12 of
the to64, change r4 to 10k when 875

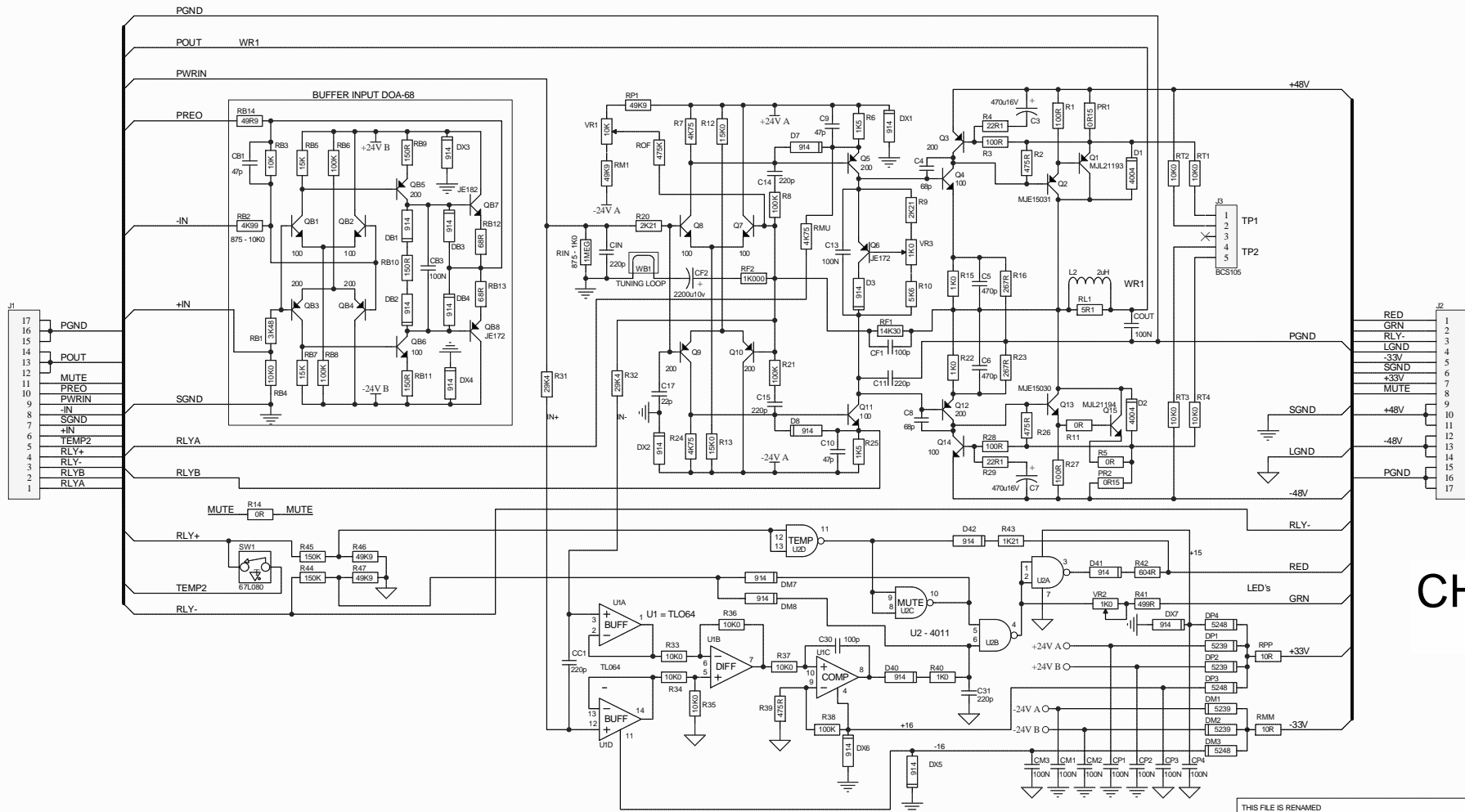
REV 4 CHANGES

CRYSTON

1000
P.O. BOX 2170, 677 NEAL DR. PETERBOROUGH, ONTARIO CANADA K7J 7Y4
PHONE: (705) 743-5225 FAX: (705) 743-0882 WWW.CRYSTONCA.COM

Title: **B100 2BSST 875 CHANNEL B** Rev: **R5**

File: Channel B R5.sch Sheet: 1 of 1
Date: 2/18/2005 Drawn: ST



- 11531B4B
- 11531B4B
- 11531B4B
- 11531B4B
- 11531B4B

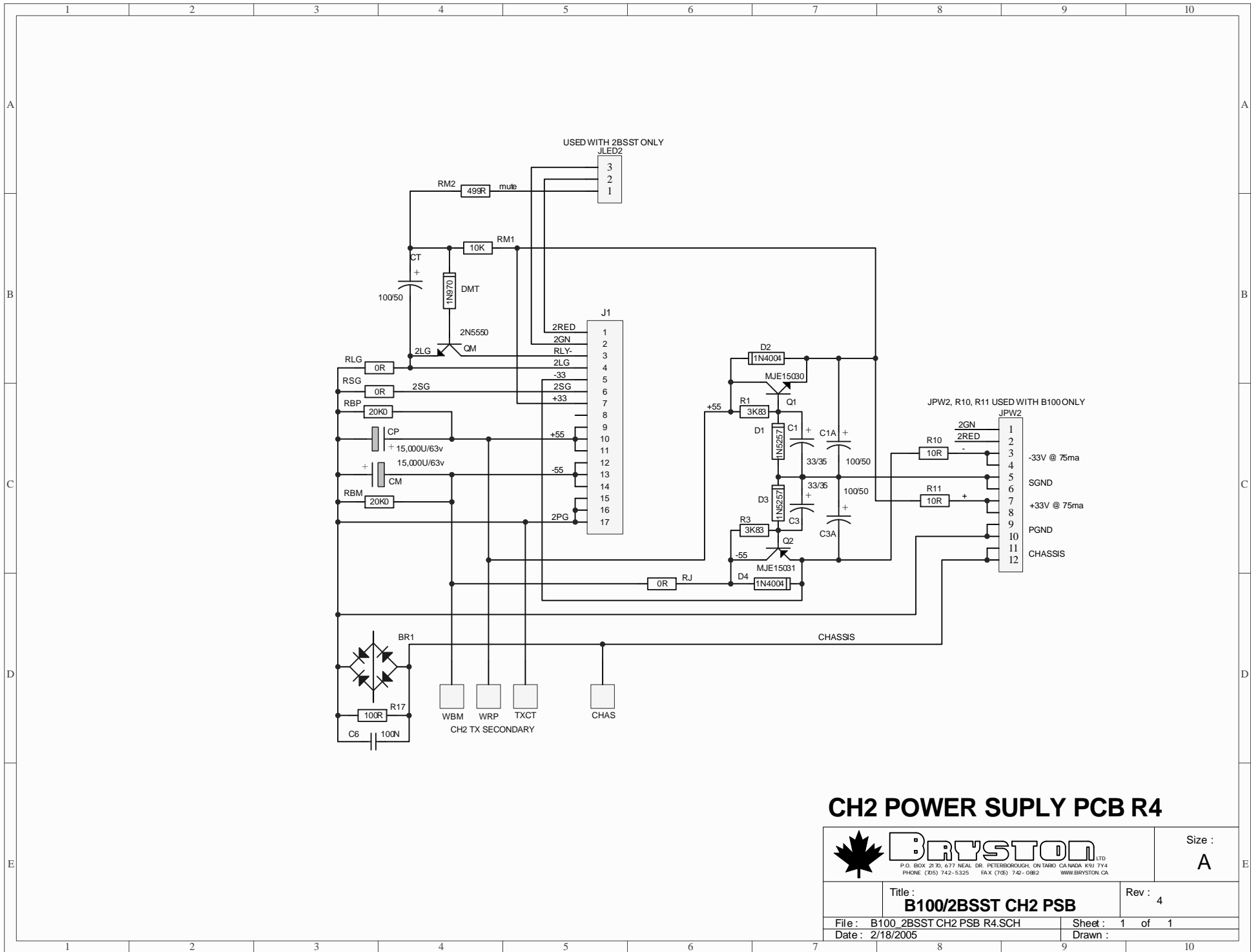
THIS FILE IS RENAMED
 FORMERLY 975 LEFT CH R3
 REV 4 CHANGES
 ADD DX1 THROUGH DX7
 OPTIONS FOR R1V, R6Z AND R64
 REV 5 - ADD CC1 ACROSS TLO64 INPUTS
 CHANGE POLARITY OF DX5 AND DX6
 R64 STAYS 10K FOR ALL BOARD VARIATIONS



ORYSTON
 P.O. BOX 2713, 677 NEAL DR. PETERBOROUGH, ONTARIO CANADA K7J 7Y4
 PHONE: (705) 743-5225 FAX: (705) 743-0882 WWW.ORYSTON.CA

Size:
B

Title: B100_2BSST_875 CHANNEL A	Rev: R5
File: Channel A R5.sch	Sheet: 1 of 1
Date: 2/18/2005	Drawn: ST



CH2 POWER SUPPLY PCB R4



P.O. BOX 2170, 677 NEAL DR., PETERBOROUGH, ONTARIO, CANADA K9J 7Y4
 PHONE: (205) 742-5325 FAX: (705) 742-0882 WWW.BRYSTON.CA

Size :
A

Title : B100/2BSST CH2 PSB		Rev : 4
File : B100_2BSST CH2 PSB R4.SCH	Sheet : 1 of 1	Drawn :
Date : 2/18/2005		

