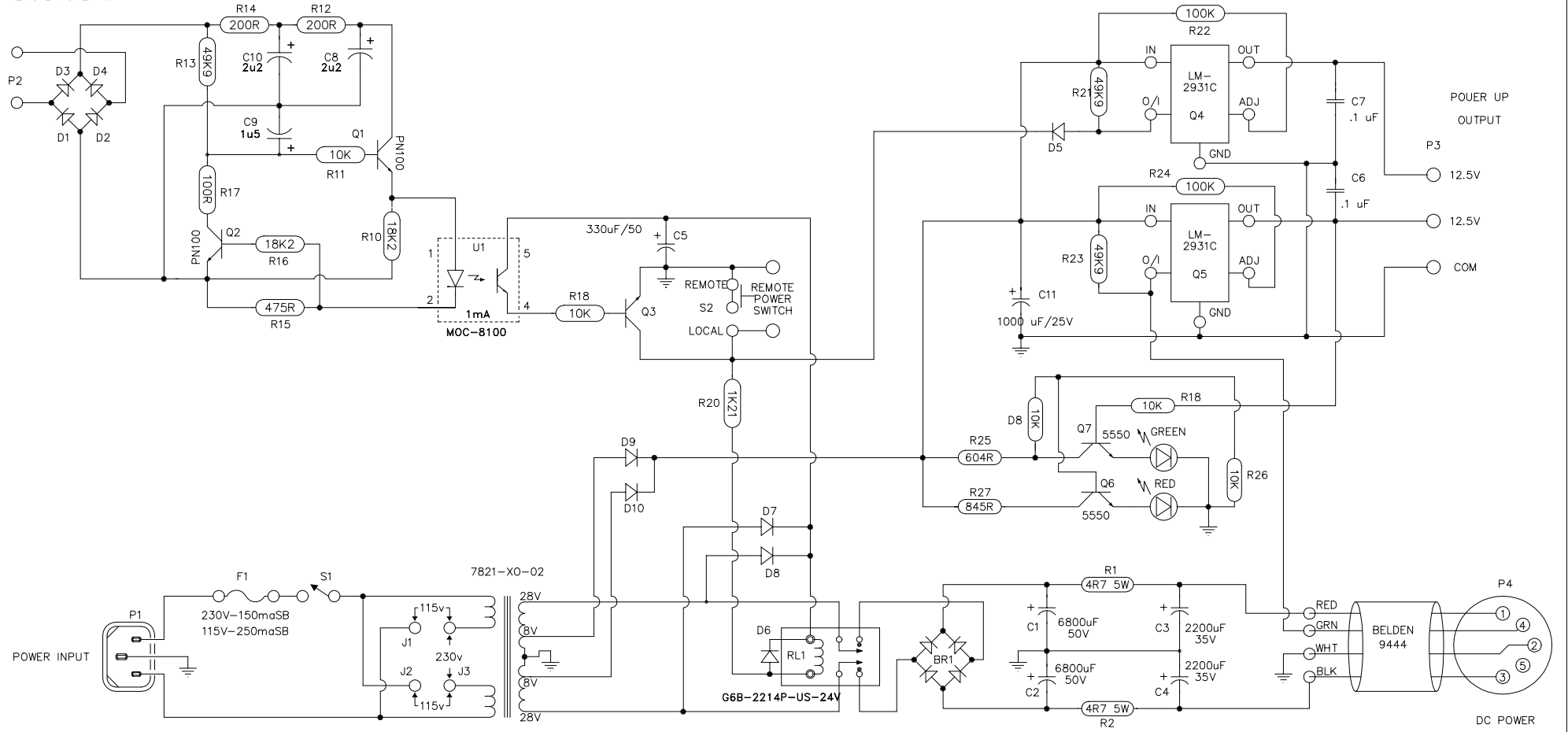


**BRYSTON**  
 MICROPHONE PRE-AMP  
 NOV 16, 92 REV 0.18 DWG# BMP2

REMOTE POWER UP



MPS-1 Power Supply REV 5

MPS-1 VER 5.0 MAIN SCHEMATIC

FILE: MPS1SCHM50.DWG PART No: MPS1MB50

DATE: AUG 2002 DWG BY: MRP REV: 5.0